



# CURTAIN SYSTEM

PRODUCT SPECIFICATIONS

# CONTENTS

<b>SECTION A:   OVERVIEW</b>	01
GENERAL SCHEMATIC .....	01
<b>SECTION B:   CURTAIN MOTOR SPECIFICATIONS</b>	02
<b>SECTION D:   INSTALLATION SPECIFICATION</b>	03
CURTAIN TRACK PROFILE .....	03
TOP/ CEILING FIX BRACKET .....	03
FACE FIX BRACKET .....	03
<b>SECTION E:   DEDUCTIONS</b>	04
ONE WAY: SINGLE DRAPE SYSTEM .....	04
ONE WAY: DOUBLE DRAPE SYSTEM .....	04
CENTRE OPENING: SINGLE DRAPE SYSTEM .....	04
CENTRE OPENING: DOUBLE DRAPE SYSTEM .....	04
ONE WAY: 90 DEGREE CURVED DRAPE SYSTEM .....	05

## DISCLAIMER

### INTRODUCTION

This Product Specifications manual for CURTAIN SYSTEM has been produced by Rollease Acmeda to supply the necessary information for the safe and correct installation of CURTAIN SYSTEM.

### DISCLAIMER

Rollease Acmeda has used reasonable care in preparing the information included in this document, but makes no representations or warranties as to the completeness or accuracy of the information. Information is supplied upon the condition that the persons receiving the information will make their own determination as to its suitability for their purposes prior to use. Rollease Acmeda assumes no liability whatsoever for any damages incurred by you resulting from errors in or omissions from the information included herein. Rollease Acmeda reserves the right to make changes without further notice to any products to improve reliability, function or design.

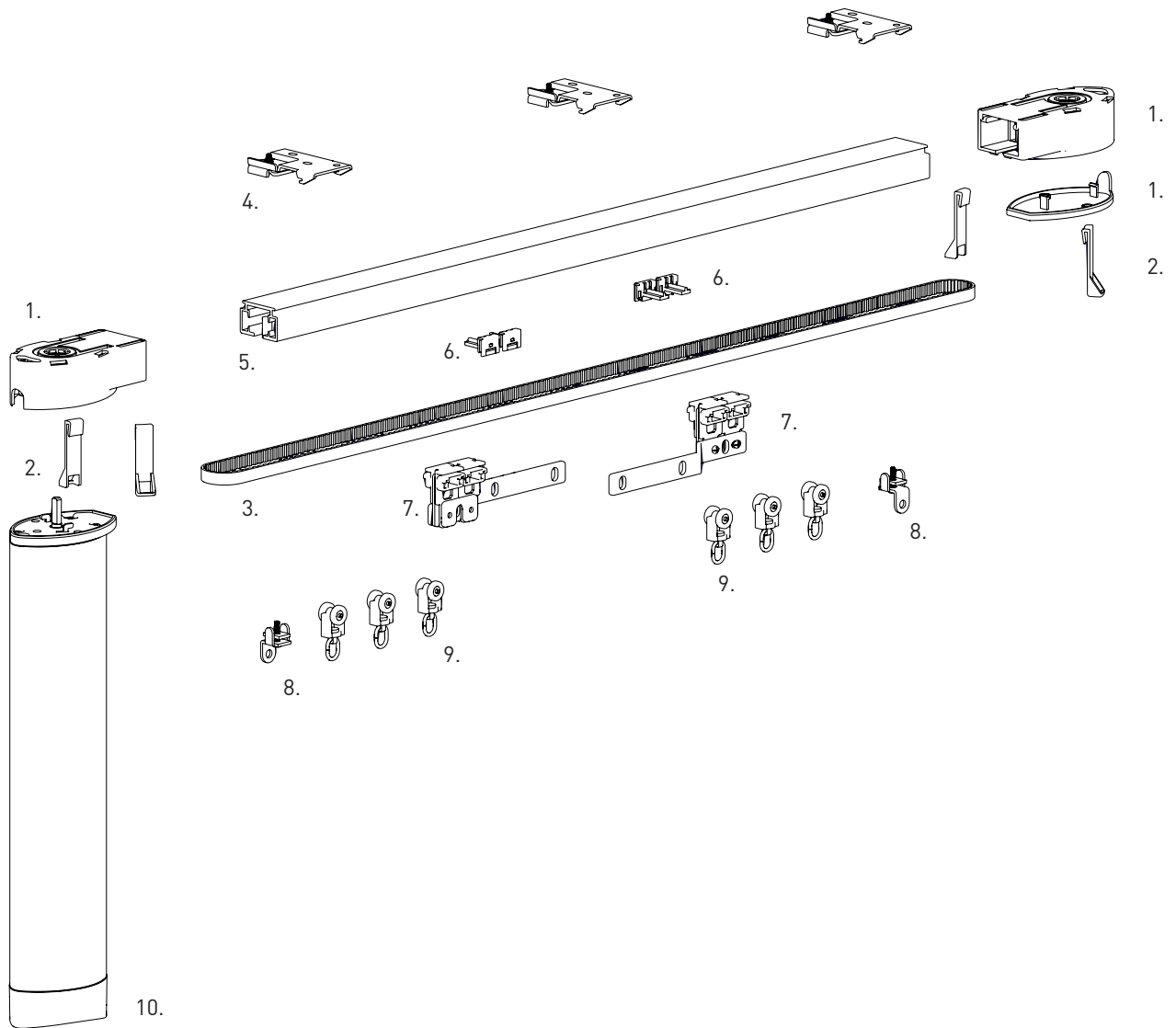
### COPYRIGHT

COPYRIGHT © ROLLEASE ACMEDA

All rights are reserved. No part of this document may be reproduced or utilised in any means, by any means, electronic or mechanical including photocopying, recordings, or by any information storage or retrieval system, without the express permission from Rollease Acmeda.

## SECTION A: | OVERVIEW

### GENERAL SCHEMATIC



#### SYSTEM INDEX:

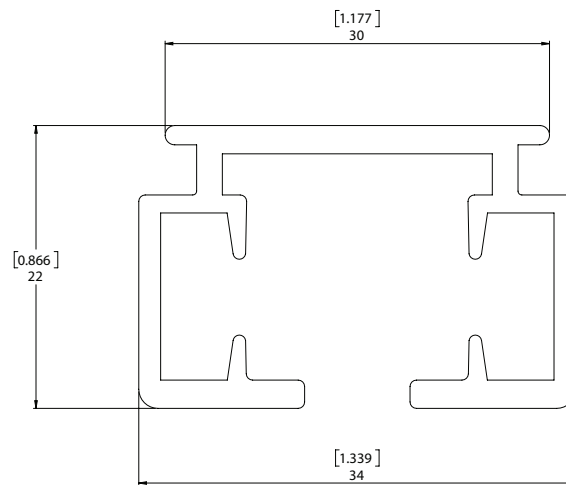
- |                                 |                                                   |
|---------------------------------|---------------------------------------------------|
| 1. Drive unit Kit for ARC Motor | 7. Master Carrier                                 |
| 2. End Hook                     | 8. Stopper                                        |
| 3. Rubber Belt                  | 9. Runners                                        |
| 4. Ceiling Bracket              | 10.1 Automate C - ARC Drape Motor                 |
| 5. Curtain Track                | 10.2 Drape Motor, ACRF, 1.2N/14 - 50kg            |
| 6. Belt Fastening Button        | 10.3 Drape Motor, ACRF, 1.2N/14 - 50kg - 20' Cord |

## SECTION B: | CURTAIN MOTOR SPECIFICATIONS

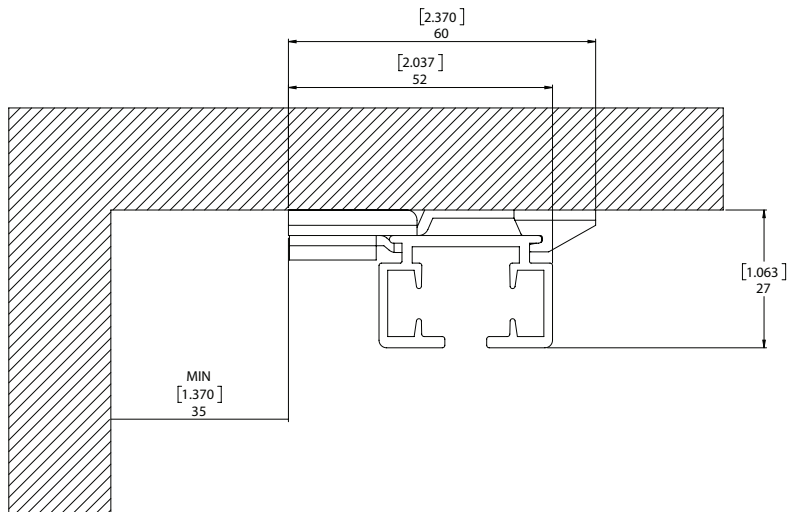
Code	MT01-2101-xxx001	MTACRFDR-50KG	MTACRFDR-50KGLC
Region	AU/EU	US	US
Power Cable Length	2500mm (8.2ft)	3000mm (9.84ft)	6000mm (19.69ft)
Supply Voltage	110-240V; 50-60Hz		
Capacity	1.2Nm @ 14cm/s		
Running Time	4 min		
Current	0.15 A		
Consumption	16 W		
Protection class	IP44		
Frequency	433.92 MHz		
Sound Level	52dB		
Weight	1.5 Kg (0.88 lbs)		
RF Modulation	FSK		
Limit Switch Type	Electronic		
Temp Working Range	0 °C to 60 °C		
Insulation Class	II		

## SECTION D: | INSTALLATION SPECIFICATION

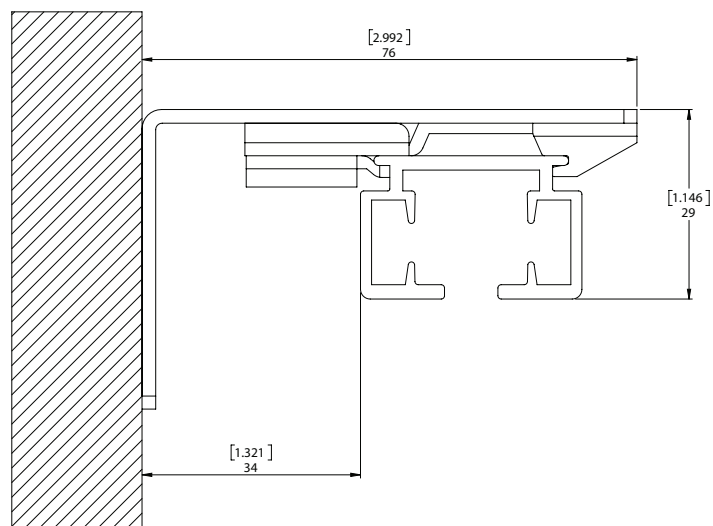
### CURTAIN TRACK PROFILE



### TOP/ CEILING FIX BRACKET

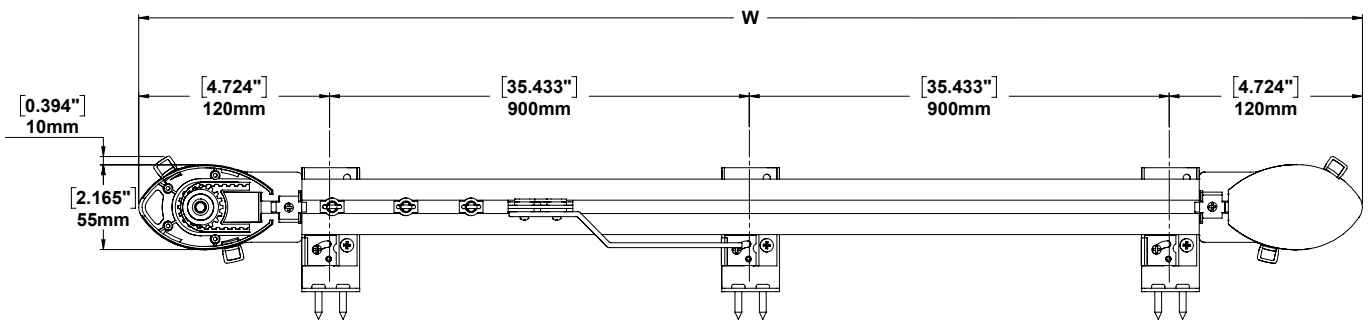


### FACE FIX BRACKET

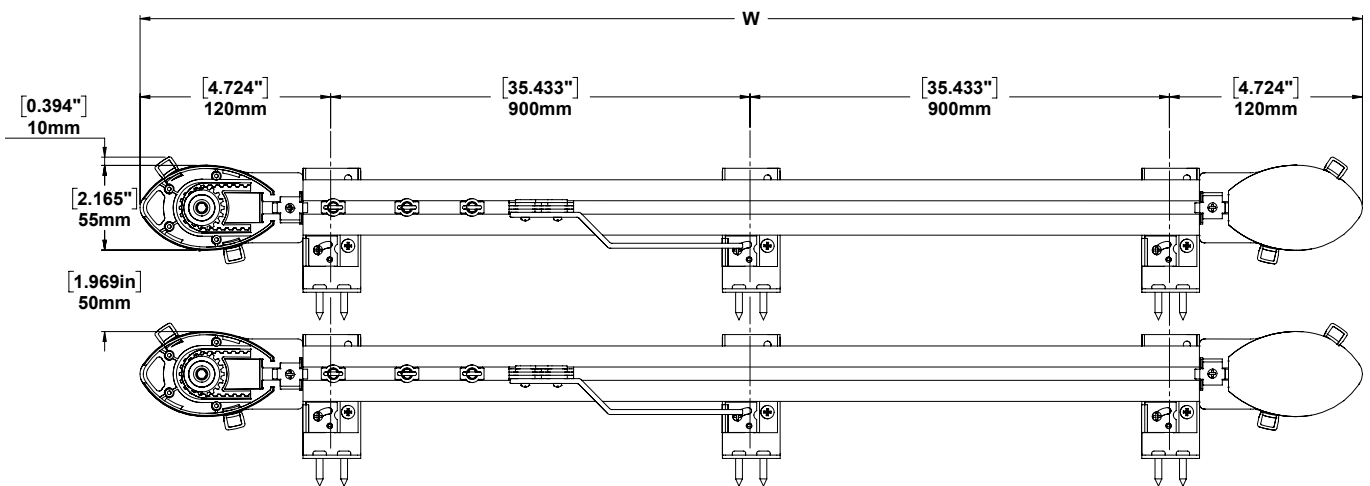


## SECTION E: | DEDUCTIONS

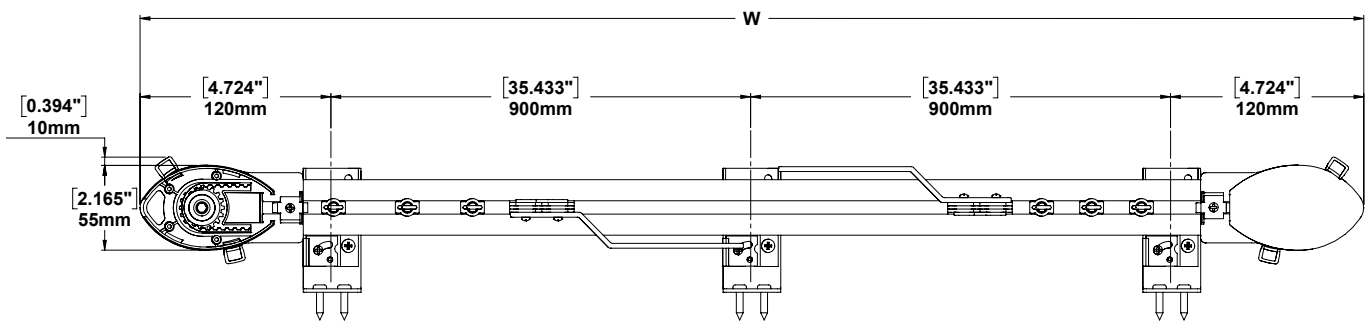
### ONE WAY: SINGLE DRAPE SYSTEM



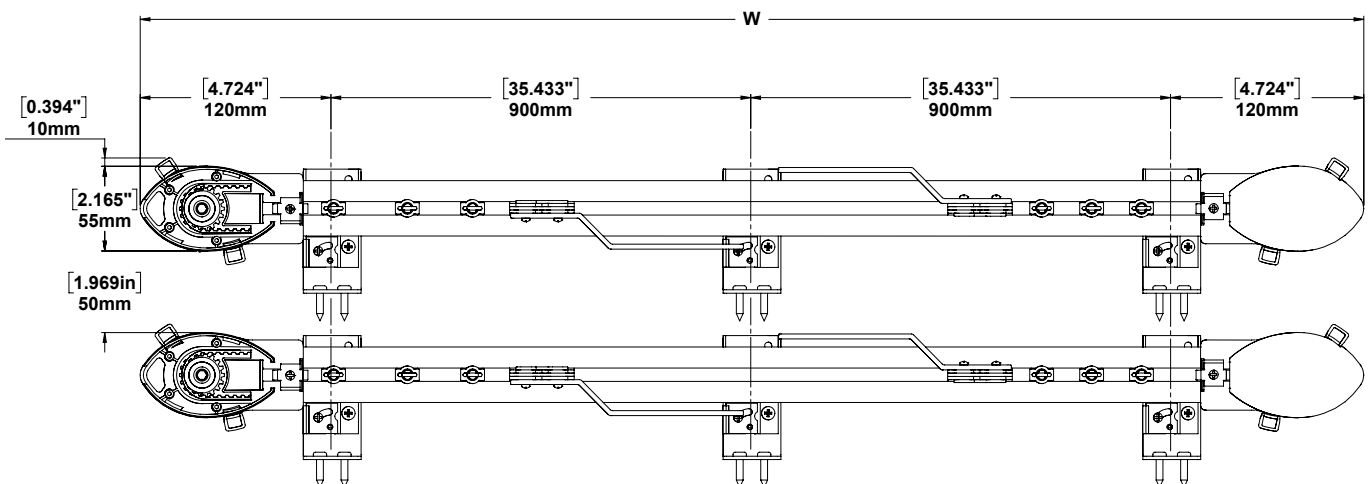
### ONE WAY: DOUBLE DRAPE SYSTEM



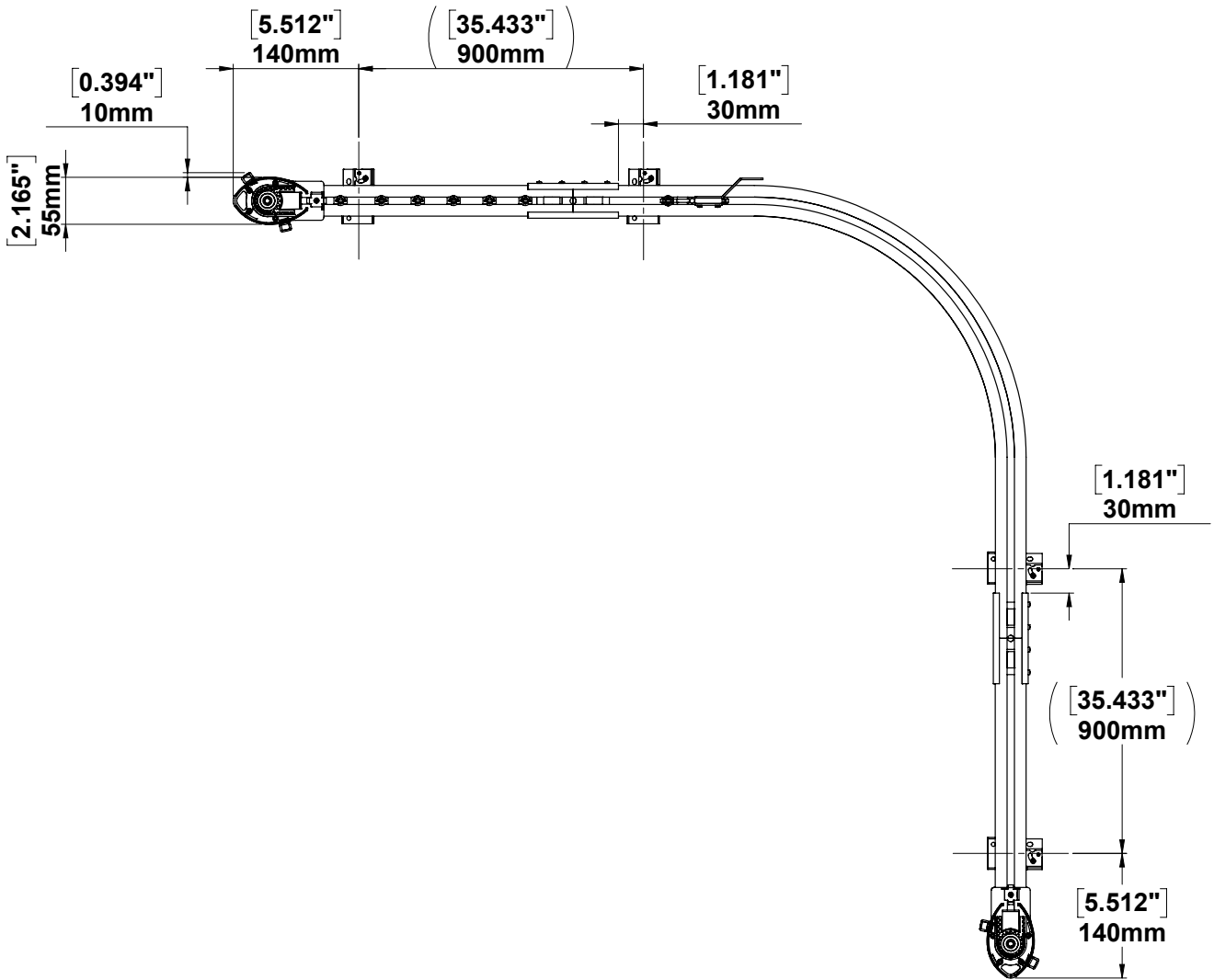
### CENTRE OPENING: SINGLE DRAPE SYSTEM



### CENTRE OPENING: DOUBLE DRAPE SYSTEM



ONE WAY: 90 DEGREE CURVED DRAPE SYSTEM



NOTE:  
S-FOLD NOT AVAILABLE FOR JOINER AND CURVED TRACKS.