

Cassettes and Pelmet Systems

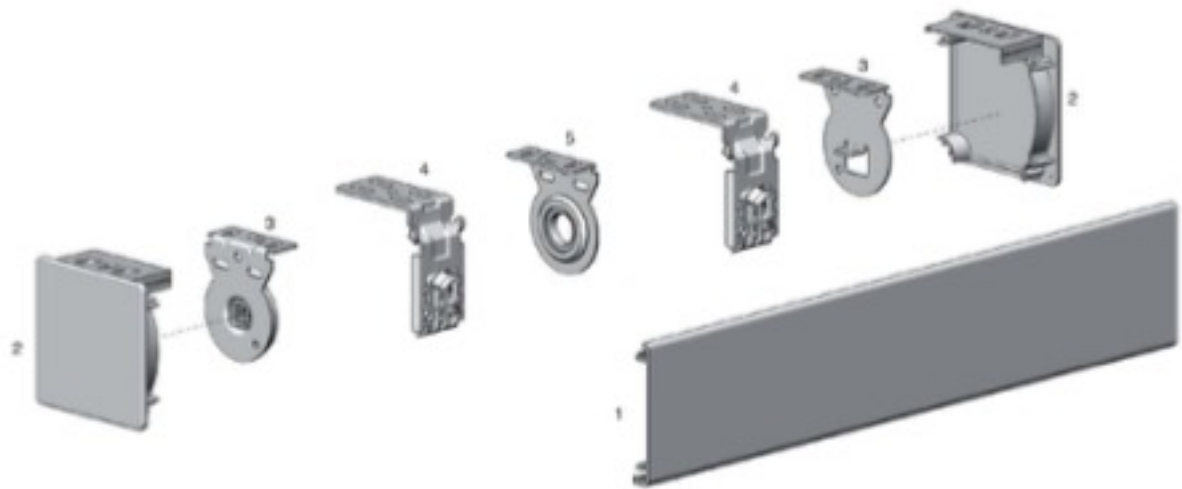
FRS Valance System

The FRS Valance system is a decorative fascia for roller shades; compatible with Acmeda roller shades hardware systems. Simple in design & with softened edges it can be presented in one of its many standard colours.



FEATURES

- Max Width 4500mm.
- Multifunctional mounting and finished appearance.
- Colour coded end side covers.
- Intermediate installation brackets.
- Universal mounting due to symmetrical design.
- Snap-lock attachment of valance with screw fastening option.
- Simple clean design with softened edges.



FRS100 VALANCE SYSTEM - SCHEMATIC

ITEM NO.	DESCRIPTION	QUANTITY
1	Valance FRS100	1
2	End Caps	2
3	Easy-Lock Brackets	1
4	FRS100 Snap Lock Centre Support Bracket	2
5	Easy-Link Bracket	1