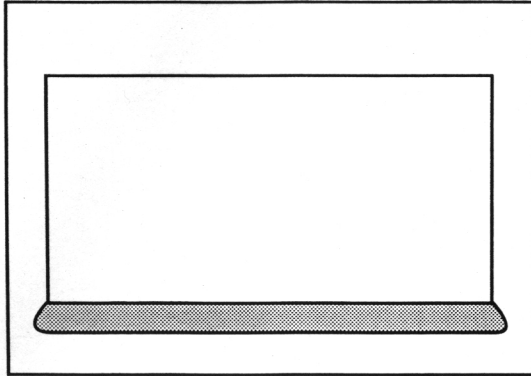
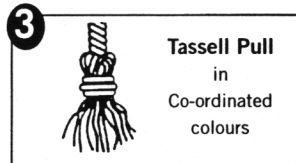
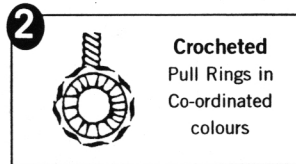
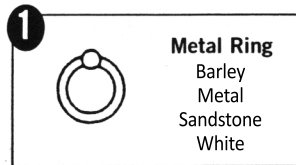


Plain Finish S1

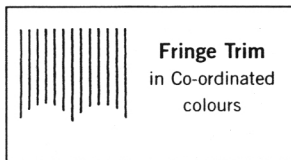
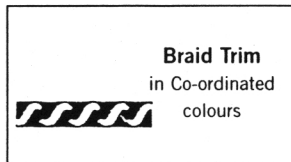


S1 Only available for B/O fabrics

Pulls & Trims

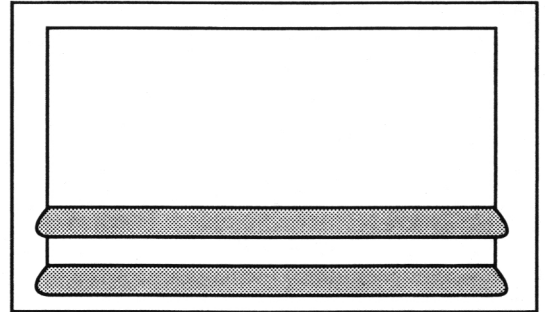


Turks head tassell (surcharge applies)

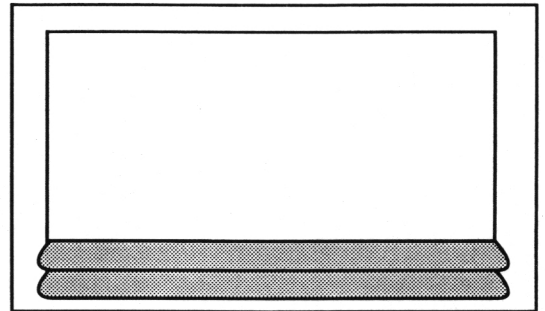


Please specify Finish, Pulls & Trims required

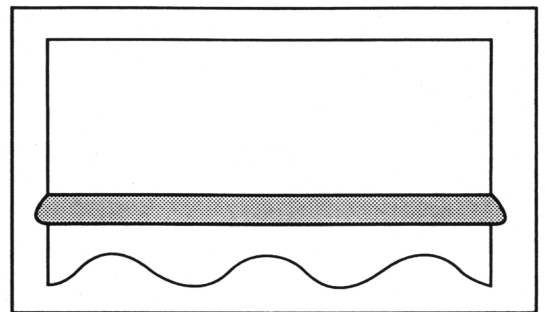
Fancy Finsh S5-S9



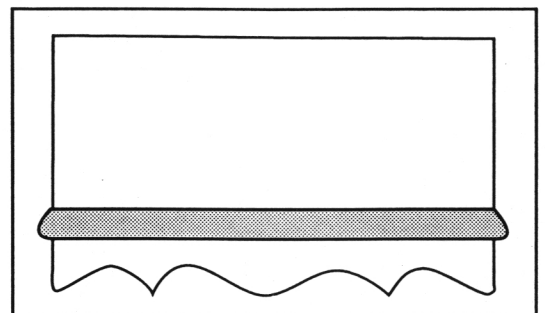
S5 Double Lathe



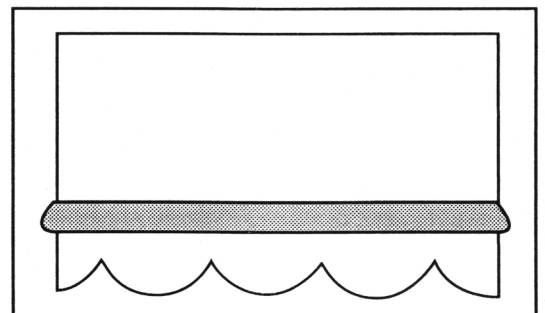
S6 Twin Lathe



S7 Wave Scallop



S8 Georgian Scallop



S9 U-Scallop