

Glydea Ultra

PRODUCT SPECIFICATIONS

The silent and intelligent solution for curtain motorisation

PRODUCT MAIN FUNCTIONALITIES



Designed for silence

Silent mode and silent accessories.



Available in multiple technologies

RTS, DCT, WT and bi-directional technology with RS485 module.

RECOMMENDED TO SET WITH:

Universal test lead
(ref. 9 015 971)



Soft start and soft stop on RTS and DCT motors



Adjustable speed

5 speeds available.



Touch motion



Glydea Ultra

PRODUCT SPECIFICATIONS

BENEFITS FOR PROFESSIONALS

Reliable, robust and discreet

- The premium solution for residential and commercial projects

Adaptable & powerful

- Compatible with multiple technologies (WT/DCT/RTS/RS485) to meet the needs of smart buildings and smart homes
- Curtain weight up to 60kg

Flexible installation

- Available with inline connector for ease of programming
- Motor can be installed on the right or left side of track

BENEFITS FOR END USERS

Elegance

New design for the best aesthetic of the complete solution.

Comfort

Enjoy one of the quietest solutions on the market. Open and close smoothly to allow the right amount of light to create a perfect ambiance without disturbing your peace and quiet.

Smart and simple

Enjoy your smart home by controlling your curtains with Connexoon Window RTS and voice control (through IFTTT).

COMPATIBLE END-PRODUCTS



Curtains

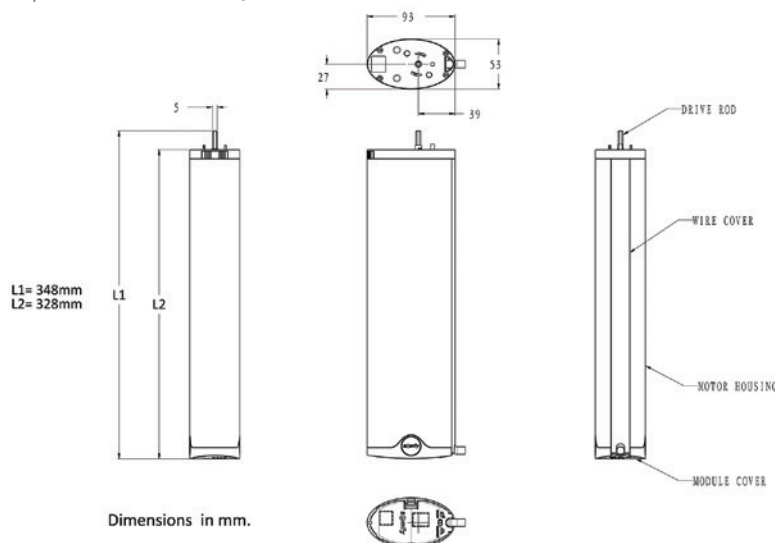
TECHNICAL DATA

| | |
|---------------------------|--------------|
| Thermal Time | 2.5 minutes |
| Supply | AC |
| Index Protection Rating | IP30 |
| Limit Switch Unit | Electronic |
| Temperature Working Range | 0°C to +60°C |
| Electric Insulation | Class I |

PERFORMANCE

| End-limit Unit Versions Available | RTS* | | DCT* | | WT | |
|-----------------------------------|---|---------|-----------------------------|---------|-----------|---------|
| | 35e | 60e | 35e | 60e | 35e | 60e |
| Nominal Torque (nm) | 0.6 | 1 | 0.6 | 1 | 0.6 | 1 |
| Adjustable Linear Speed (cm/s) | 20cm/s / 17.5cm/s / 15cm/s (default) / 12.5cm/s / 7.5cm/s (silent mode) | | | | | |
| Sound level (dBA) | 45.2 / 43.4 / 39.7 / 37.3 / 29.8 dBA | | | | | |
| Voltage | 230V / 50Hz | | | | | |
| Maximum Current | 0.4 A | | | | | |
| Radio Frequency (MHz) | 433,42 | 433,42 | | | | |
| Adjustable Limits | Yes | Yes | Yes | Yes | Yes | Yes |
| Curtain Maximum Weight | 35kg | 60kg | 35kg | 60kg | 35kg | 60kg |
| Control Method | RTS | | Dry contact via RJ12 socket | | AC Switch | |
| Item Number | 1240227 | 1240230 | 1240226 | 1240229 | 1240219 | 1240228 |
| With inline connector | 1241032 | 1241035 | 1241031 | 1241034 | 1241030 | 1241033 |
| L1 (mm) | 348 | 348 | 348 | 348 | 348 | 348 |

*compatible with RS485 module (Ref 1870275).



SOMFY Pty Limited – ABN 77 003 917 244 – 20/38-46 South St, Rydalmere NSW 2116 – T +61 (0)2 8845 7200 – somfy.au@somfy.com