

EASY-LINK

ASSEMBLY MANUAL



February 2016

CONTENTS

February 2016

This manual is to be read in conjunction with the Product Specifications manual

SECTION NO.	DESCRIPTION	PAGE NO.
SECTION 1	– TOOLS AND ADDITIONAL ITEMS REQUIRED	1.1
SECTION 2	– SYSTEM DETAILS	2.1
	PART B – DEDUCTIONS	2.2
	PART C – BOM & CUTTING LIST	2.2
SECTION 3	- ASSEMBLY	3.3
	PART A – ASSEMBLING TUBE	3.3
	PART B – PREPARE & PACK ASSEMBLIES READY FOR TRANSPORTATION & INSTALLATION	3.5

DISCLAIMER

INTRODUCTION

This assembly manual has been produced by Rollease Acmeda to supply the necessary information for safe and correct assembly of this system.

DISCLAIMER

Rollease Acmeda has used reasonable care in preparing the information included in this document, but makes no representations or warranties as to the completeness or accuracy of the information. Information is supplied upon the condition that the persons receiving the information will make their own determination as to its suitability for their purposes prior to use. Rollease Acmeda assumes no liability whatsoever for any damages incurred by you resulting from errors in or omissions from the information included herein. Rollease Acmeda reserves the right to make changes without further notice to any products to improve reliability, function or design.

COPYRIGHT

COPYRIGHT © ROLLEASE ACMEDA 2016

All rights reserved. No part of this document may be reproduced or utilised in any means, by any means, electronic or mechanical including photocopying, recordings, or by any information storage or retrieval system, without the express permission from Rollease Acmeda.

SECTION 1 – TOOLS AND ADDITIONAL ITEMS REQUIRED

TOOLS REQUIRED

- Saw
- Drill
- Drill Bits
- Screw Driver – Philips Head, Flat Head
- Scissors
- Measuring Tape
- Pencil

ADDITIONAL ITEMS REQUIRED (NOT SUPPLIED)

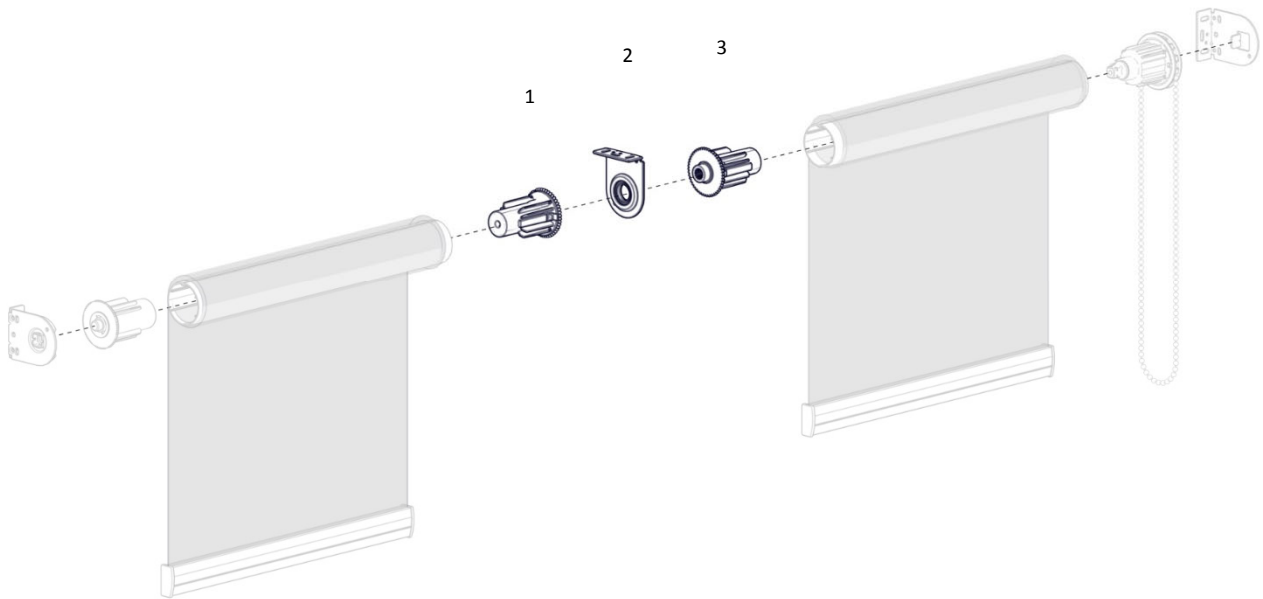
To assemble an EASY-LINK, the following non-stocked items are required:

- Fabric

SECTION 2 – SYSTEM DETAILS

PART A – GENERAL SCHEMATICS

The Rollease Acmeda Easy-Link™ system was designed to allow for multiple blinds to be controlled using a single motor or chain control operation. Achieving minimal gaps between each blind, the Easy-Link™ system provides the perfect addition to the Easy-Lock range when linking blinds.



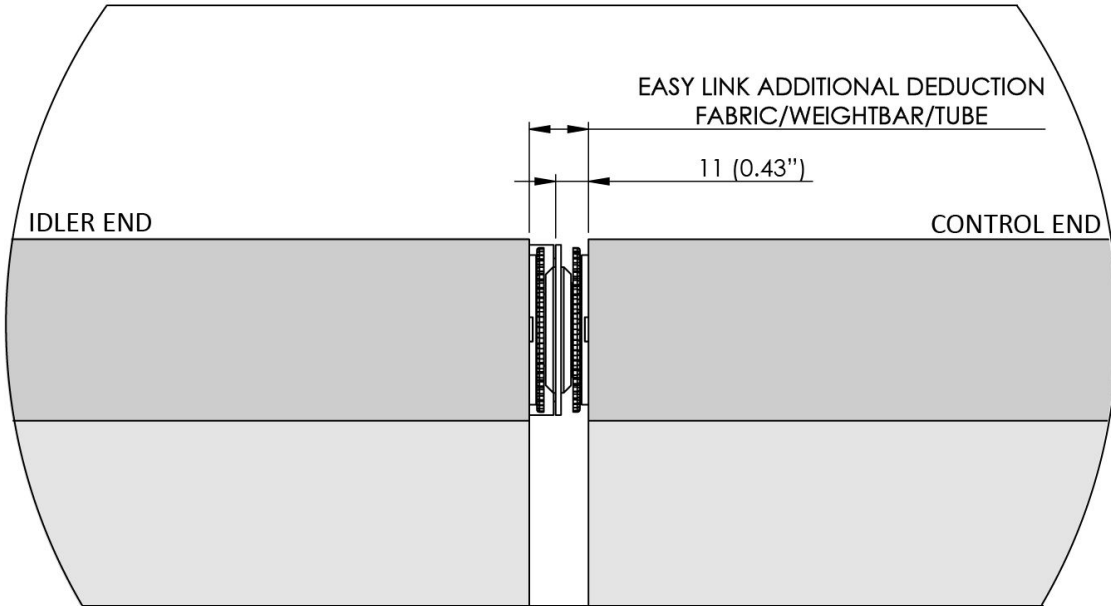
SYSTEM INDEX

ROLLER AD ON SYSTEM – EASY-LINK

1. Easy-Link LX Intermediate Bearing Bracket
2. Easy-Link Intermediate MALE Drive
3. Easy-Link Intermediate FEMALE Drive & Idle Adaptor

PART B – DEDUCTIONS

EASY-LINK



FABRIC/TUBE LIGHT GAP	
EASY-LINK	19mm (0.75")

PART C – BOM & CUTTING LIST

EASY-LINK

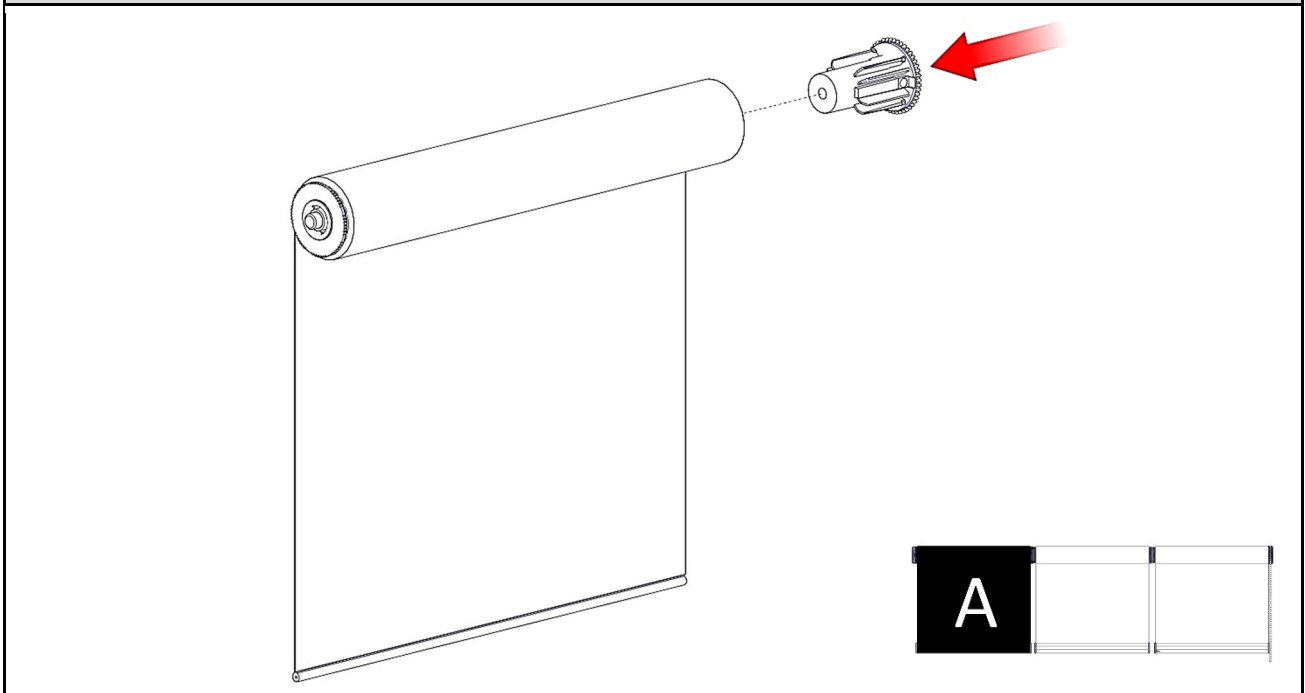
		PART NUMBER	DESCRIPTION	U.O.M	QTY	DEDUCTION
EASY-LINK OPTIONS	BRACKETS	RB41-0353-XXX040	Easy-Link Lx Inter. Bearing Bkt-40mm S45	Piece	n	
		RB41-0353-XXX055	Easy-Link LX Inter. Bearing Bkt-55mm S45	Piece		
	DRIVES	RB41-1002-XXX045	Easy-Link Intermediate MALE Drive S45	Set	1 x n	
		RB41-1001-XXX045	Easy-Link Intermediate FEM Drive & Idle Adaptor S45	Set	1 x n	

Note: n = number of Easy-Link Brackets required for installation

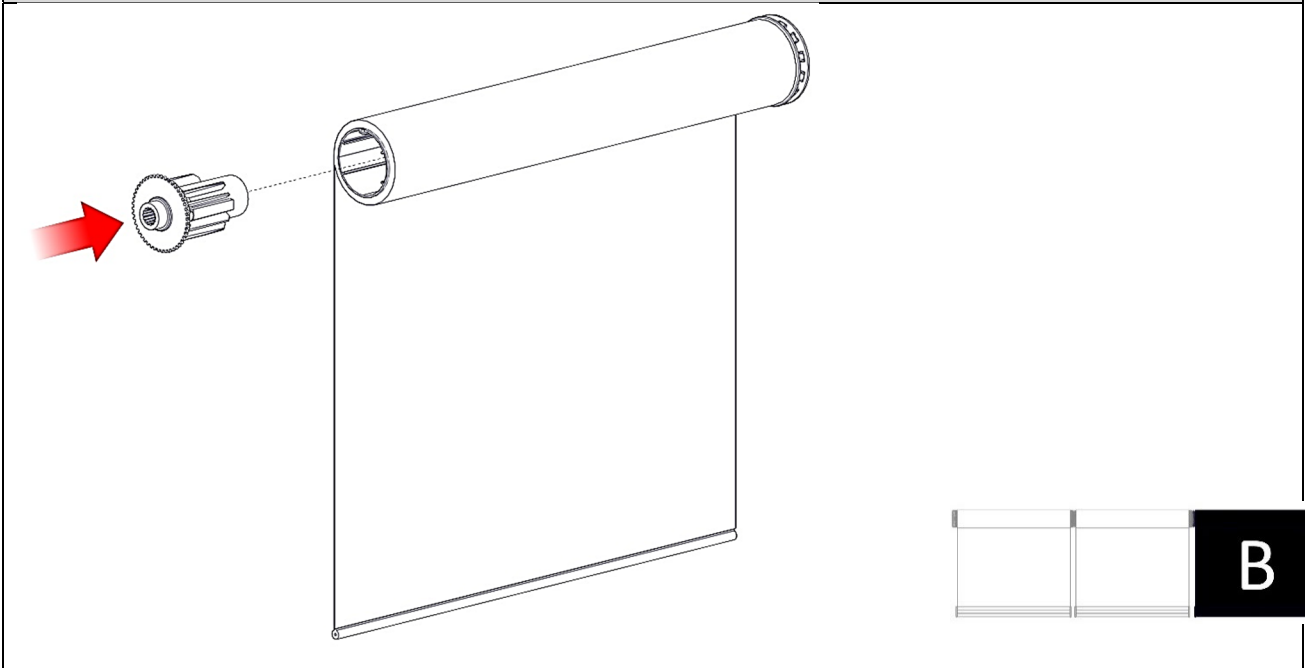
SECTION 3 - ASSEMBLY

PART A – ASSEMBLING TUBE

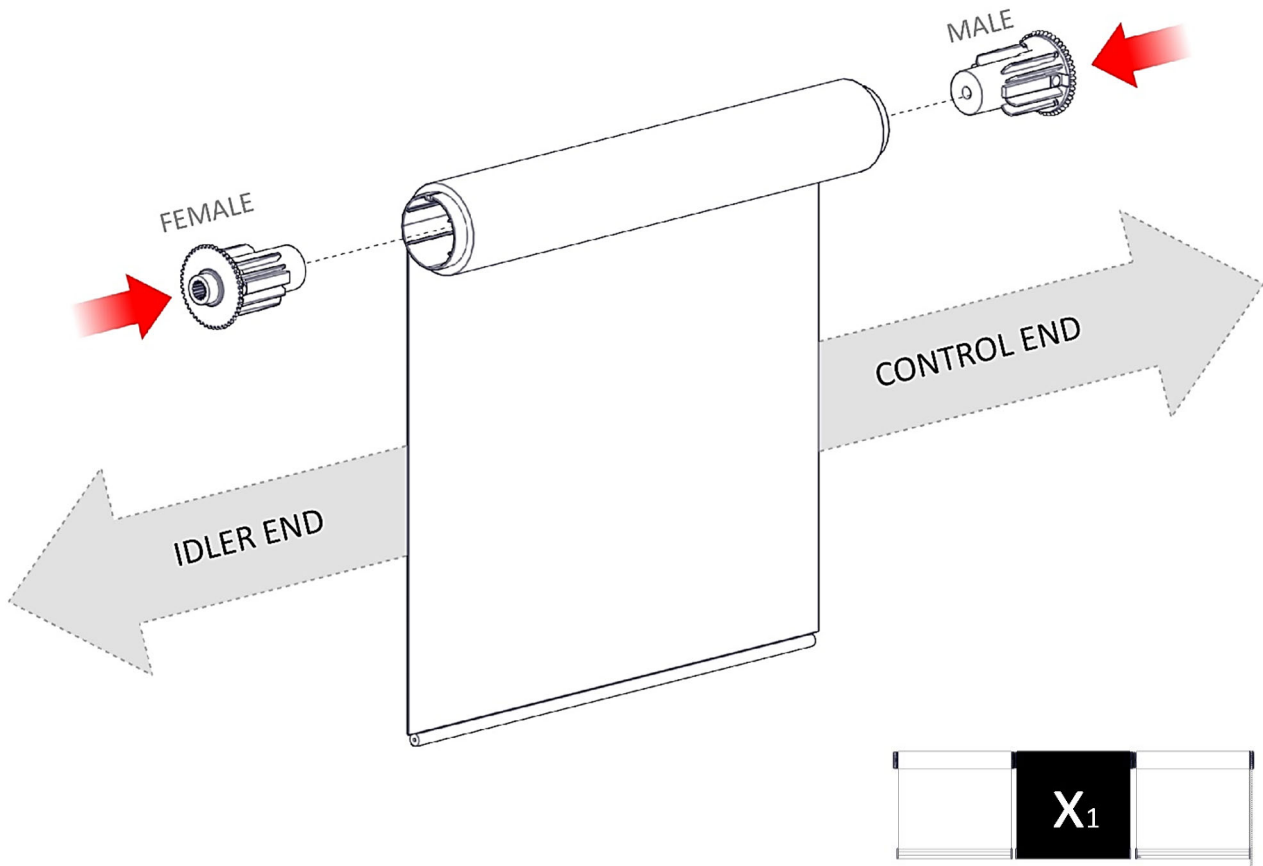
STEP 1 – INSERT INTERMEDIATE MALE EASY-LINK DRIVE INTO BLIND “A”



STEP 2 – INSERT INTERMEDIATE FEMALE EASY-LINK INTO BLIND “B”



STEP 3 – INSERT INTERMEDIATE MALE AND FEMALE EASY-LINK DRIVE INTO BLIND “X” (WHEN USING 3+ BLINDS)



NOTE: Repeat step 3 for each Blind “X” being used

PART B – PREPARE & PACK ASSEMBLIES READY FOR TRANSPORTATION & INSTALLATION

EASY-LINK

Check you have all blind items;

1. Easy-Lock LX Bracket
2. Easy-Link LX Bearing Bracket
3. Blind "A" (Idler Side)
4. Blind "B" (Control Side)
5. Blind "X" (Linking Blind)

(OPTIONAL: THERE CAN ALSO BE MULTIPLE OF BLIND "X")

